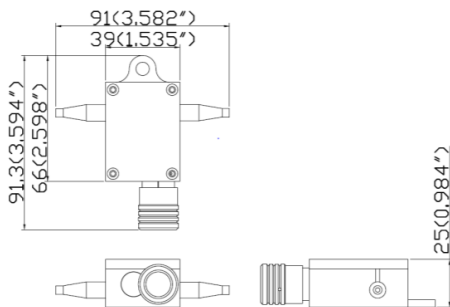
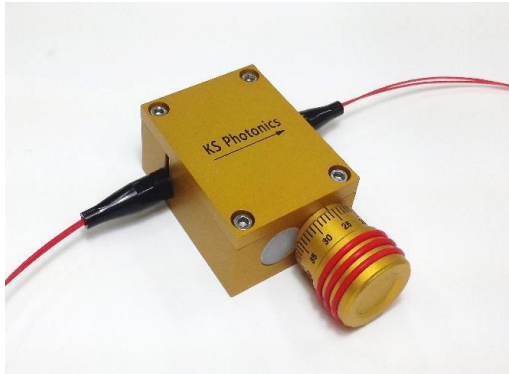


Fiber Tunable Directional Coupler

Compact polished directional coupler with tunable coupling ratio



Features & Applications

FEATURES:

- Negligible loss
- Polished fiber coupler
- Tunable coupling ratio (0-100 %)
- Available with various fiber types including SMF and PMF
- Available at customer specified wavelength
- Very small size

APPLICATIONS:

- Optical system testing
- Interferometry
- General laboratory experiments
- Optics education kits

SPECIFICATION

Insertion loss (dB)	< 0.1 (bare type) < 0.5 (adapter type)
Tuning range of coupling (%)	0 - 100
Operation wavelength (nm)	Can be specified by customer (633, 830, 980, 1064, 1550)
Polarization Extinction Ratio (dB)	> 20 (PM only)

For more information please contact Phoenix sales:
sales@phoenixphotonics.com or visit us at
www.phoenixphotonics.com

ORDERING INFORMATION:

FTDC - - -



P: PMF
N: Non-PMF

Operation Wavelength
063: 633 nm
083: 830 nm
098: 980 nm
106: 1060 nm
155: 1550 nm

Connectors:
NO: none
FA: FC/APC
FP: FC/PC
FU: FC/UPC
FS: FC/SC

For more information please contact Phoenix sales:
sales@phoenixphotonics.com or visit us at
www.phoenixphotonics.com